




# Acme Sanitary Ware Co Ltd

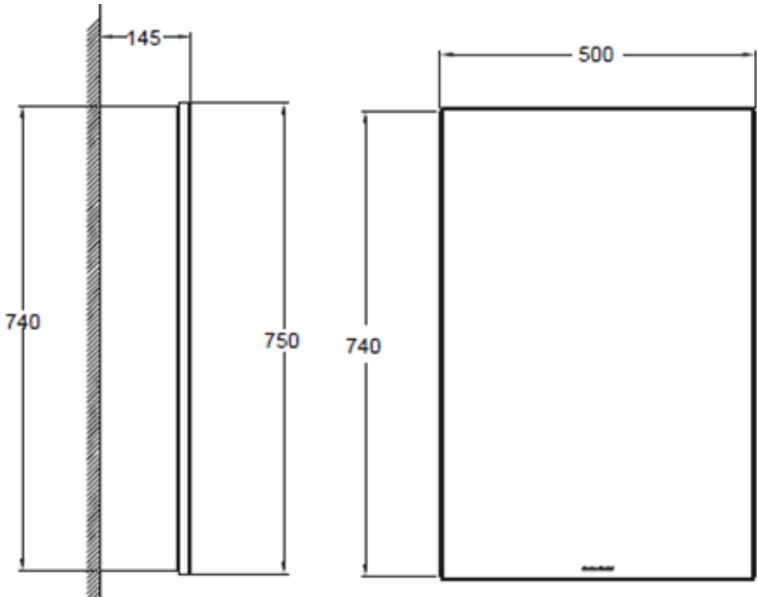
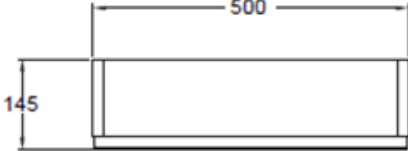

Acme Building, 22-28 Nanking Street, Kowloon, Hong Kong  
Tel: 2388 7171 Fax: 2710 8012  
E-mail: acme@acmesanitary.com.hk  
Website: www.acmesanitaryware.com.hk

# American Standard

PROJECT		REF		REV	ITEM CODE	
LOCATION		DATE			PAGE	

## SANITARY WARE SPECIFICATION SHEET

Item Descriptions	American Standard "Moddino 500" wall mounted mirror cabinet laminate carcass	Illustration/ Drawing  
Model	CCVASMD50-SC0E100C0	
Dimension	500W x 750H x 145D mm	
Material / Finish	Matte White	
Manufacturer	American Standard (PRC)	
Source	Acme Sanitary Ware Co. Ltd Mr. Eric Wong / Mr. Wilson Hung	
Contact Tel/Fax	(852) 2388-7171 / (852) 2710-8012	
E-mail	acme@acmesanitary.com.hk	
Website	www.acmesanitary.com.hk	

	
 Link to Good Living <b>American Standard</b> Raising The Standard	

\* All information of the above is for reference only. No prior notice is made if any changes.